

Thermostat of the TH 160 line

These thermostats are single-pole thermal switches . They are designed as electric circuit switches but aren't to be used as a main switch.

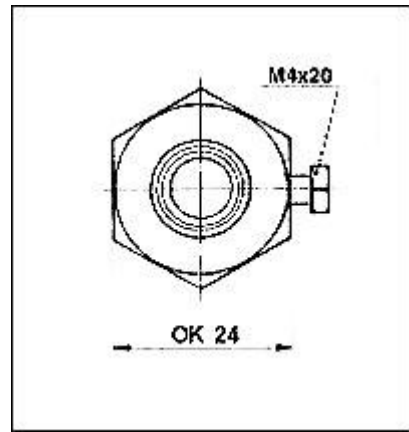
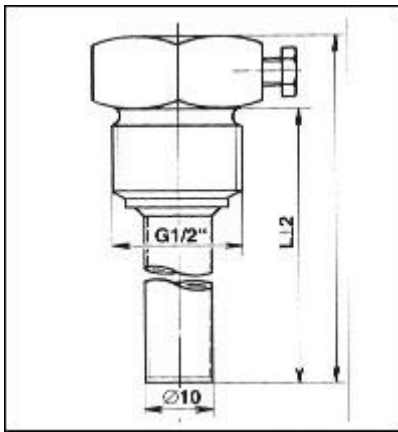
Description

| | |
|------------------------------|---|
| Set-up accuracy | ±10 °C from the highest value of the rated switch off temperature |
| Stem diameter | 8 mm |
| Max. switch head temperature | 120 °C |
| Weight | approx., from 0,25 to 0,35 |
| Shielding | IP 00 |
| Durability | 10 000 cycles |

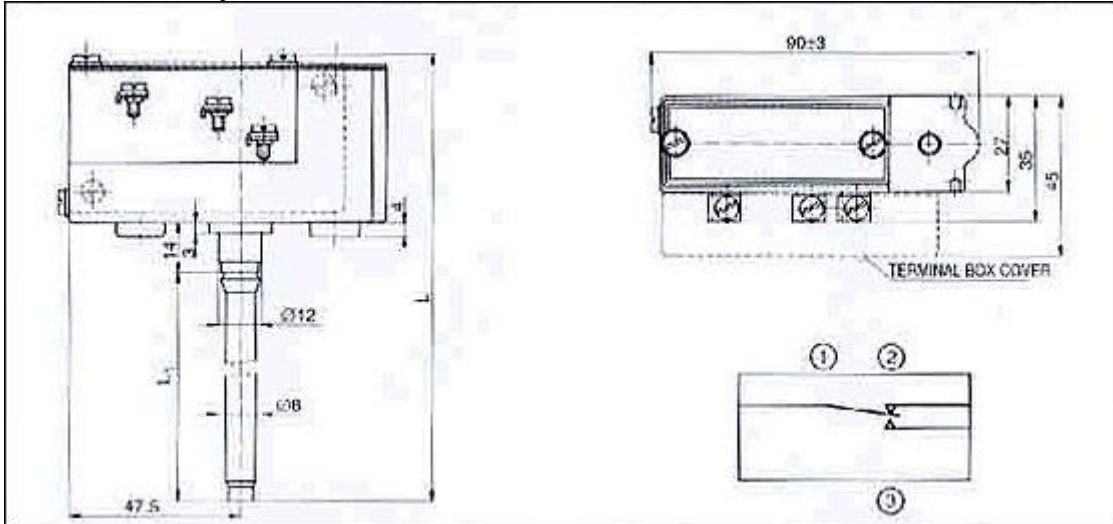
| Type | Control range | Switching temperature difference | Stem length | Contact load | No. of terminals |
|----------|---------------|----------------------------------|-------------|----------------|------------------|
| | °C | K | mm | | |
| TH 160 | 20-80 | 8 | 315 | 250 V, 15 A AC | 2 |
| TH 160.1 | 20-75 | 8 | 315 | 250 V, 15 A AC | 2 |
| TH 160.2 | 20-80 | 8 | 315 | 250 V, 15 A AC | 3 |
| TH 162 | 20-160 | 16 | 100 | 250 V, 15 A AC | 3 |
| TH 163 | 50-90 | 16 | 100 | 250 V, 15 A AC | 3 |
| TH 164 | 30-160 | 10 | 160 | 250 V, 15 A AC | 3 |
| TH 165 | 20-200 | 10 | 160 | 250 V, 15 A AC | 3 |
| TH 166 | 100-200 | 10 | 200 | 250 V, 15 A AC | 3 |
| TH 167 | 20-100 | 10 | 250 | 250 V, 15 A AC | 3 |
| TH 169 | 60-120 | 8 | 315 | 250 V, 15 A AC | 2 |

Stem wells

| Typ | L | L1 |
|----------|-----|-----|
| TH 160 | 324 | 336 |
| TH 160.1 | 324 | 336 |
| TH 160.2 | 324 | 336 |
| TH 162 | 110 | 122 |
| TH 163 | 110 | 122 |
| TH 164 | 170 | 182 |
| TH 165 | 170 | 182 |
| TH 166 | 210 | 222 |
| TH 167 | 260 | 272 |
| TH 169 | 324 | 336 |

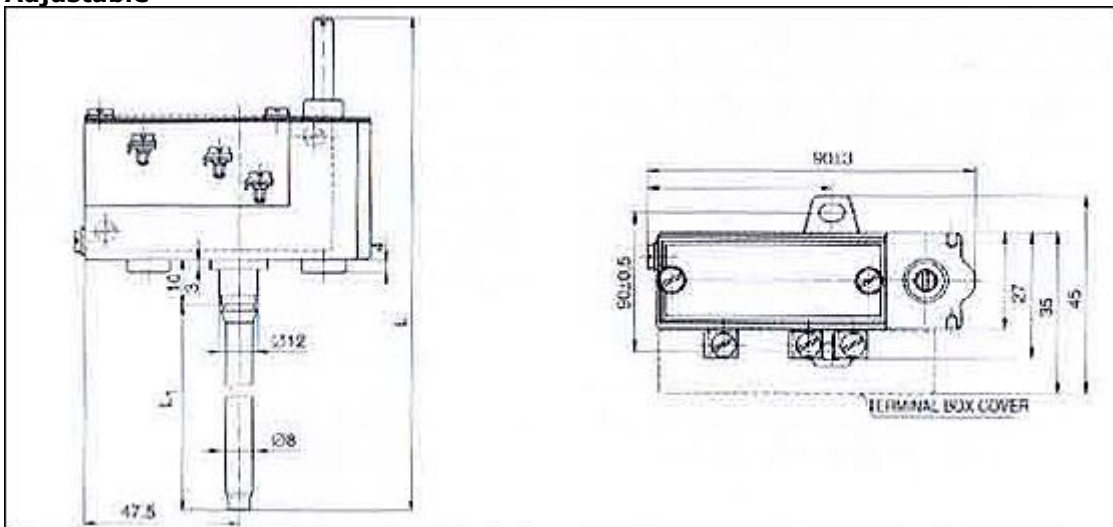


Permanent setup



| Type | L ₁ ±3 | L ₂ ±3 | No. of terminals |
|------|-------------------|-------------------|------------------|
| 162 | 164 | 100 | 3 |
| 165 | 224 | 160 | 3 |
| 174 | 188 | 125 | 3 |

Adjustable



| Type | L±3 | L ₁ ±3 | No. of terminals |
|-------|-----|-------------------|------------------|
| 160 | 388 | 315 | 2 |
| 160.1 | 388 | 315 | 2 |
| 160.2 | 388 | 315 | 3 |
| 163 | 173 | 100 | 3 |
| 164 | 233 | 160 | 3 |
| 166 | 273 | 200 | 3 |
| 167 | 323 | 250 | 3 |
| 169 | 388 | 315 | 2 |